

Key Features

- Energy saving LED solution, utilising multiple LEDs encapsulated in a flexible body
- Wide choice of fixed LED colour and RGB colour change options
- Quick and simple to install with clips and channel mounting accessories
- Can be dimmed using the appropriate driver
- Flexible body with cut points for length adjustment
- Available in 1m increments up to 50m (fixed colour)

Lamp Colour Options

- CW** Cool White
- WW** Warm White
- A** Amber
- R** Red
- G** Green
- RB** Royal Blue
- R G B** Colour Change RGB

Lamp Options

- 72 x SMD LED/m (Single Colour)
- 237 x SMD LED/m (Colour Change)

Materials

- Flexible housing - PVC

Beam Angles



Weight

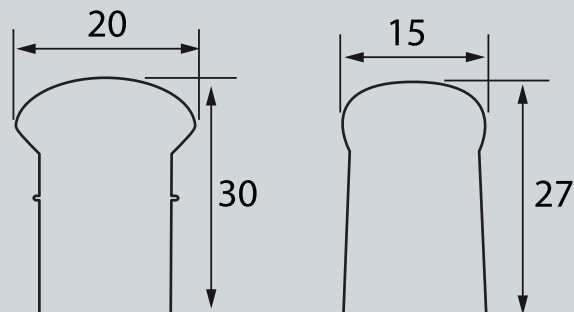
- 0.55/m • 0.7/m



The FS4 is a revolution in flexible lighting, the result of many years of technical LED research and development it is now used on projects around the world. The FS4 offers the same intense light output and uniform brightness as neon but with one significant benefit in that it is 'bendable'.

It is easily shaped and cut to length, making installation simple and quick, and the all important appearance shows no hot spot. FS4 is ideal for signage and displays, architectural features and edge illumination eg, stairs, ledges or ground marking.

Dimensions (mm)



RBG Colour Change

Single Colour

Installation

- IP44 suitable for interior and exterior applications
- Secured with fixing clips or channel section available separately
- Cut points every 100mm
- Available in 1m increments up to 50m single colour and 20m colour change
- Input connector and endcap required for each length
- Requires suitable power supply unit

Power Input

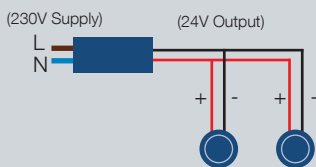
- 240V DC or 240V AC
- 240V DC or 240V AC

Power Consumption

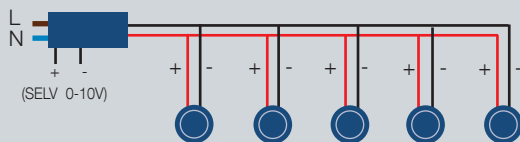
- 9.4W/m • 17W/m

Wiring Diagrams

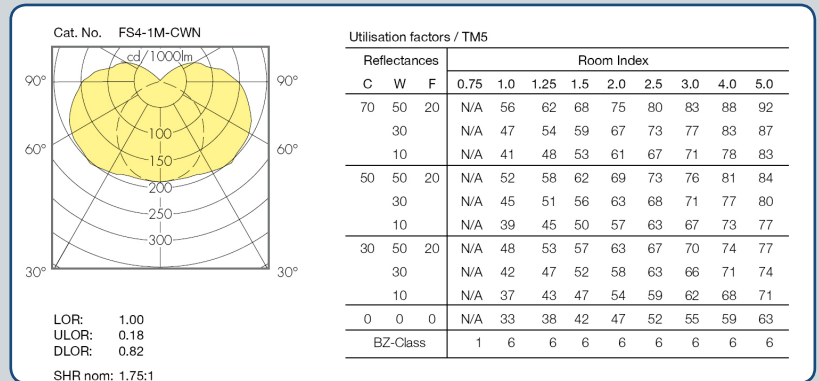
2 x Fittings wired in Parallel



5 x Fittings wired in Parallel



Photometric Data



Recommended Drivers & Cables

- Driver to be ordered separately
- Recommended fixed output driver Cat No: LS-24V100W
- LS-24V100W will drive up to 10m of fixed colour FS4
- Recommended colour change driver Cat No: LS-RGB24V-350W
- LS-RGB24V-350W will drive up to 15m of colour change FS4
- See driver datasheets for full driver specifications and alternatives to suit alternative lengths

Ordering Codes

